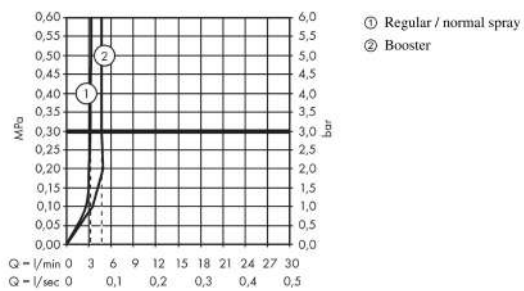


AXOR Starck Organic
2-handle basin mixer 170 for wash bowls with waste set
 Surfaces: Article Number: **12012950**



Flowchart

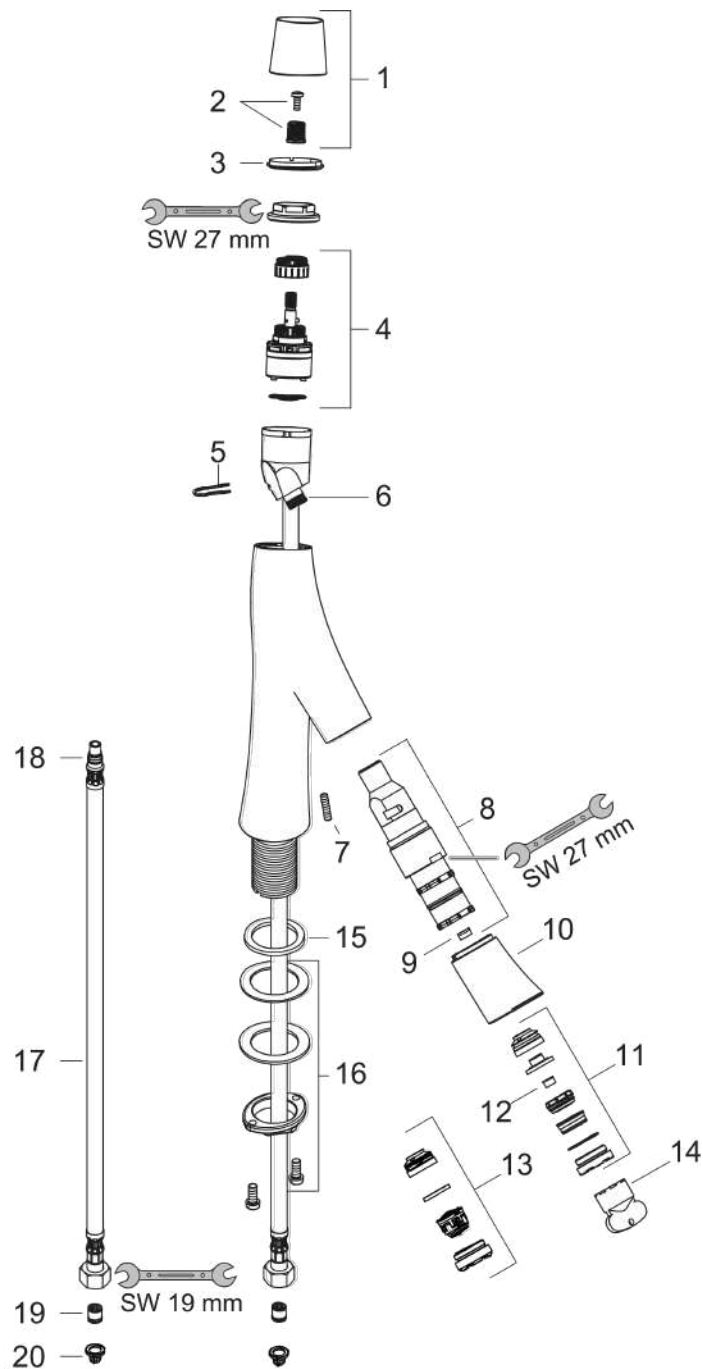


AXOR Starck Organic
2-handle basin mixer 170 for wash bowls with waste set
 Surfaces: Article Number: **12012950**



Exploded Drawing

Year of production: >11/16



AXOR Starck Organic
2-handle basin mixer 170 for wash bowls with waste set
 Surfaces: Article Number: **12012950**



Spare part list

Year of production: >11/16

Pos.		Article Number	PC	PU
1	handle	98296950	62	1
2	handle fixing set	98932000	5	1
3	color-ring cold / hot water	98304000	3	1
4	cartridge, assy	98303000	12	1
5	cramp	98403000	3	1
6	O-ring 11x1,5	98385000	1	1
7	hollow set screw M5x16	98404000	1	1
8	shut off cartridge	98301000	16	1
9	flow limiter (3,5 l/min)	98405000	3	1
10	spout cpl.	98297950	99	1
11	spray former	98299930	64	1
12	flow limiter (5 l/min)	95311000	2	1
13	aerator M24x1 (7 l/min)	98300930	99	1
14	special tool	95158000	2	1
15	flat seal	98749000	2	1
16	fixing set (Ø 32)	13961000	7	1
17	connection hose 900 mm M8x0,75 G3/8	95372000	8	1
18	O-ring 7x1,5	98422000	1	1
19	non return valve DW 10	96456000	3	1
20	filter packing	95291000	4	1
a	waste	50001950	99	1
b	fixation extension 35 mm	13898000	12	1