

**AXOR Starck Organic**  
**2-handle basin mixer 80 with pop-up waste set**  
 Surfaces:     Article Number: **12010140**



**product features**

- consists of: 2-handle basin mixer, waste set
- ComfortZone 80
- projection: 116 mm
- spout height: 83 mm
- spray type: shower spray
- maximum flow rate at 3 bar: 3,5 l/min
- flow rate booster: 5 l/min
- ceramic cartridge for temperature control
- ceramic valve for volume control
- temperature limitation adjustable
- separation of temperature and volume control
- with isolated water conduction - without contact with nickel and lead
- suitable for continuous flow water heaters
- pop-up waste set G 1¼
- connection type: G ¾ connections
- connection dimension: DN15

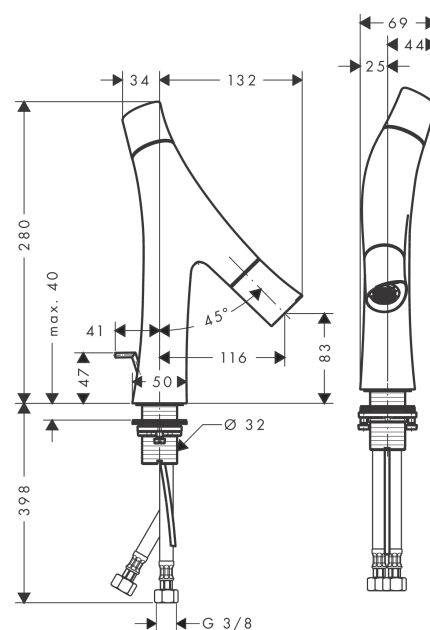
**Technology**



**Product image**



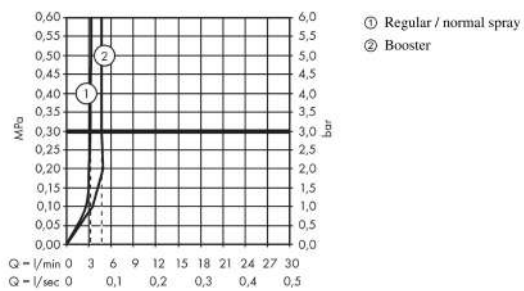
**Scale drawing**



**AXOR Starck Organic**  
**2-handle basin mixer 80 with pop-up waste set**  
 Surfaces: Article Number: **12010140**



## Flowchart

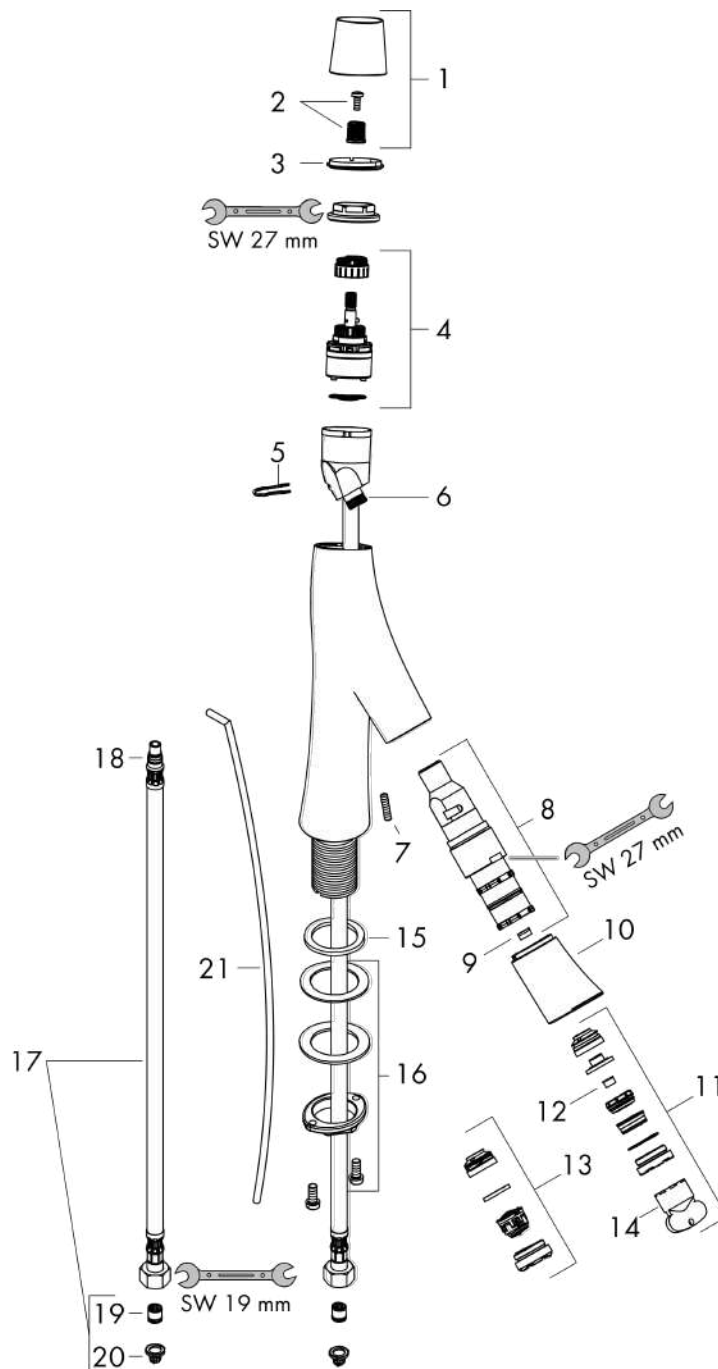


**AXOR Starck Organic**  
**2-handle basin mixer 80 with pop-up waste set**  
 Surfaces: Article Number: 12010140



## Exploded Drawing

Year of production: >11/16



**AXOR Starck Organic**  
**2-handle basin mixer 80 with pop-up waste set**  
 Surfaces: Article Number: **12010140**



## Spare part list

Year of production: >11/16

| Pos. |                                     | Article Number | PC | PU |
|------|-------------------------------------|----------------|----|----|
| 1    | handle                              | 98296140       | 62 | 1  |
| 2    | handle fixing set                   | 98932000       | 5  | 1  |
| 3    | color-ring cold / hot water         | 98304000       | 3  | 1  |
| 4    | cartridge, assy                     | 98303000       | 12 | 1  |
| 5    | cramp                               | 98403000       | 3  | 1  |
| 6    | O-ring 11x1,5                       | 98385000       | 1  | 1  |
| 7    | hollow set screw M5x16              | 98404000       | 1  | 1  |
| 8    | shut off cartridge                  | 98301000       | 16 | 1  |
| 9    | flow limiter (3,5 l/min)            | 98405000       | 3  | 1  |
| 10   | spout cpl.                          | 98297140       | 99 | 1  |
| 11   | spray former                        | 98299130       | 64 | 1  |
| 12   | flow limiter (5 l/min)              | 95311000       | 2  | 1  |
| 13   | aerator M24x1 (7 l/min)             | 98300130       | 60 | 1  |
| 14   | special tool                        | 95158000       | 2  | 1  |
| 15   | flat seal                           | 98749000       | 2  | 1  |
| 16   | fixing set (Ø 32)                   | 13961000       | 7  | 1  |
| 17   | pull rod                            | 96923140       | 99 | 1  |
| 18   | connection hose 600 mm M8x0,75 G3/8 | 95664000       | 8  | 1  |
| 19   | O-ring 7x1,5                        | 98422000       | 1  | 1  |
| 20   | non return valve DW 10              | 96456000       | 3  | 1  |
| 21   | filter packing                      | 95291000       | 4  | 1  |
| a    | pop up waste                        | 94139140       | 64 | 1  |
| b    | fixation extension 35 mm            | 13898000       | 12 | 1  |