

## AXOR Starck

Thermostat for concealed installation with shut-off/ diverter valve

Surfaces: Article Number: **10720250**



### product features

- 2 functions
- thermostat cartridge, shut-off valve
- maximum flow rate at 3 bar: 29 l/min
- flow rate upper outlet: 25 l/min
- flow rate lower outlet: 29 l/min
- min. operating pressure: 1 bar
- max. operating pressure: 10 bar
- safety stop at 40 °C
- temperature limitation adjustable
- non-return valve
- with silencer
- connection type: basic set

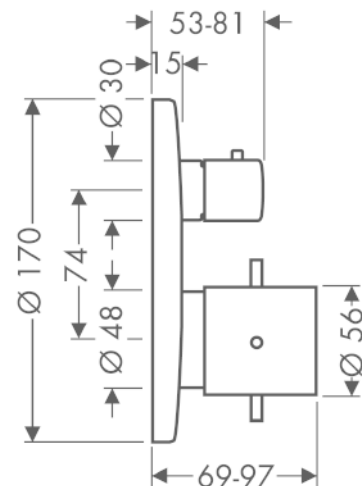
### Certificates



### Product image



### Scale drawing



**AXOR Starck**  
**Thermostat for concealed installation with shut-off/ diverter valve**  
 Surfaces: Article Number: **10720250**



## Flowchart

