

AXOR Starck

Thermostat for concealed installation with shut-off/ diverter valve

Surfaces: Article Number: **10720000**



product features

- 2 functions
- thermostat cartridge, shut-off valve
- maximum flow rate at 3 bar: 29 l/min
- flow rate upper outlet: 25 l/min
- flow rate lower outlet: 29 l/min
- min. operating pressure: 1 bar
- max. operating pressure: 10 bar
- safety stop at 40 °C
- temperature limitation adjustable
- non-return valve
- with silencer
- connection type: basic set

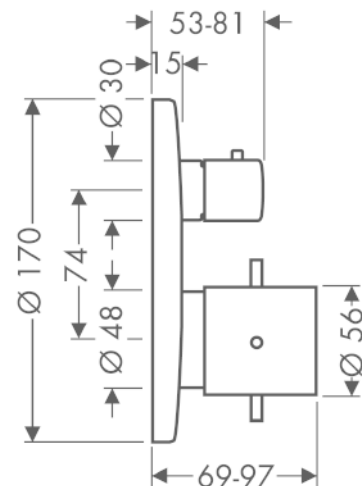
Certificates



Product image



Scale drawing



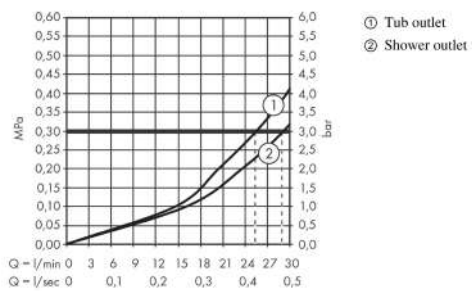
AXOR Starck

Thermostat for concealed installation with shut-off/ diverter valve

Surfaces: Article Number: **10720000**



Flowchart



AXOR Starck

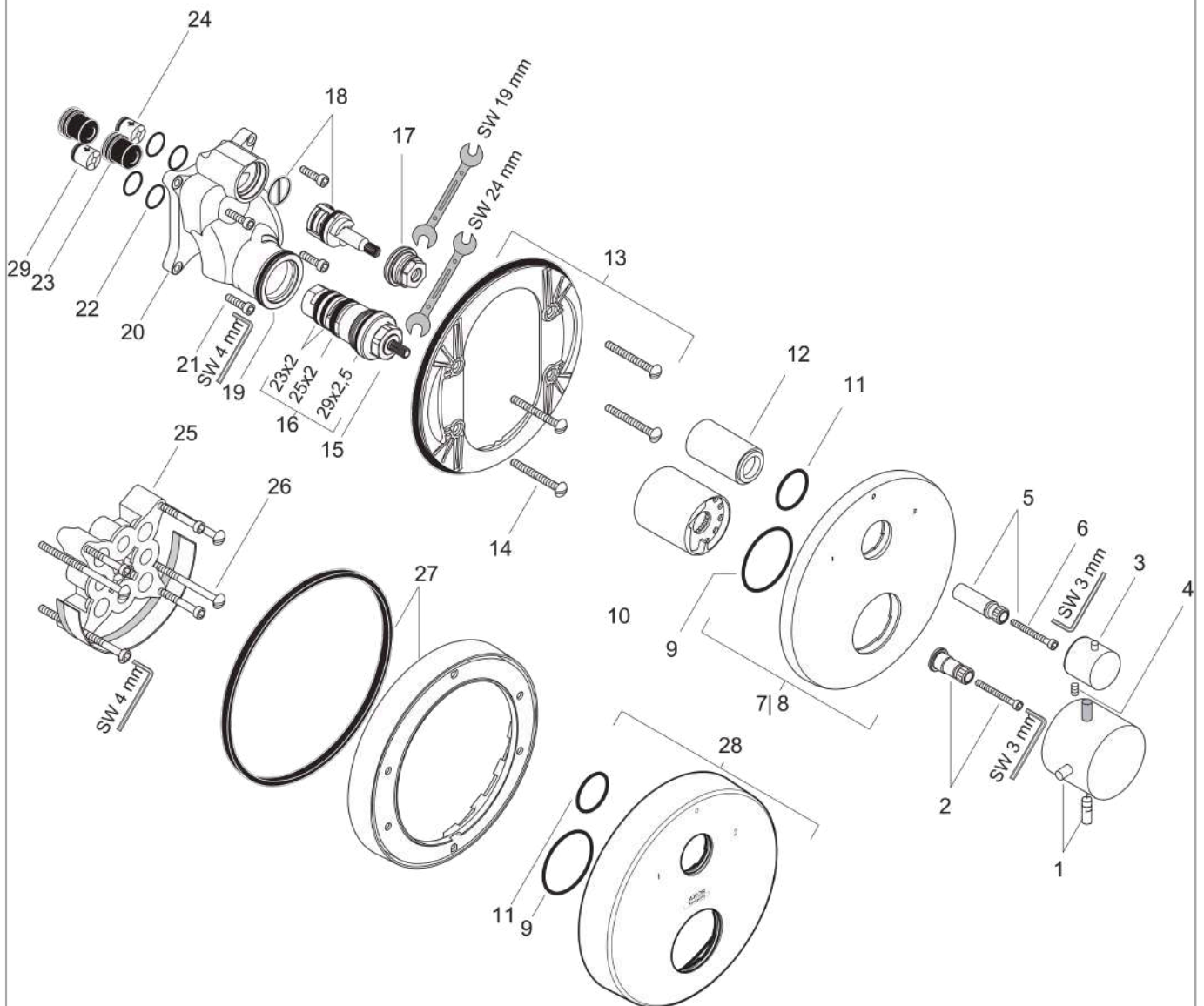
Thermostat for concealed installation with shut-off/ diverter valve

Surfaces: Article Number: 10720000



Exploded Drawing

Year of production: >06/11



AXOR Starck

Thermostat for concealed installation with shut-off/ diverter valve

Surfaces: Article Number: **10720000**



Spare part list

Year of production: >06/11

Pos.		Article Number	PC	PU
1	handle for thermostat	10391000	14	1
2	adapter for handle	96435000	6	1
3	handle	96520000	11	1
4	hollow set screw M4x8	97669000	1	1
5	adapter for handle	96451000	5	1
6	hexagon socket screw M4x35	92160000	1	1
7	escutcheon Ø 170 mm	95805000	15	1
8	escutcheon for exchanged connections	97193000	11	1
9	O-Ring 48x3	95508000	1	1
10	sleeve	96439000	9	1
11	O-ring 29x3	98371000	2	1
12	sleeve	96446000	8	1
13	sub plate	96447000	10	1
14	set of fixing screws	96454000	3	1
15	thermostat cartridge	94282000	15	1
16	sealing set	95037000	10	1
17	nut	92853000	3	1
18	shut off unit with selector	96509000	13	1
19	O-ring 39x2	98158000	1	1
20	installation unit cpl.	92591000	19	1
21	set of screws	96525000	3	1
22	O-ring 16x2	98133000	1	1
23	noise reduction	94073000	7	1
24	set of non return valves DW 15	94074000	5	1
25	extension 25 mm	13595000	99	1
26	set of fixing screws	97747000	1	1
27	extension 22 mm (Ø 170 mm)	13596000	99	1
28	escutcheon height = 33 mm (when wall is not deep enough).	14962000	99	1
29	non return valve (pressure-resistant up to 2 MPa)	92594000	5	1
a	concealed item	01800180	99	1
b	adapter for exchanged connections	93181000	18	1
c	fixation set	96615000	99	1
d	non return valve with filter	92499000	5	1