

AXOR Starck
Thermostat HighFlow for concealed installation
Surfaces: Article Number: **10715000**



product features

- thermostat cartridge
- maximum flow rate at 3 bar: 59 l/min
- flow rate upper outlet: 42 l/min
- flow rate lower outlet: 42 l/min
- min. operating pressure: 1 bar
- max. operating pressure: 10 bar
- safety lock at 40 °C
- temperature limitation adjustable
- non-return valve
- with silencer
- connection type: basic set

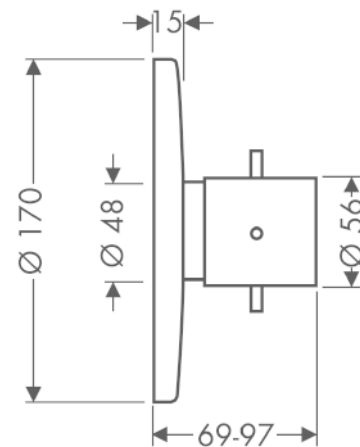
Certificates



Product image



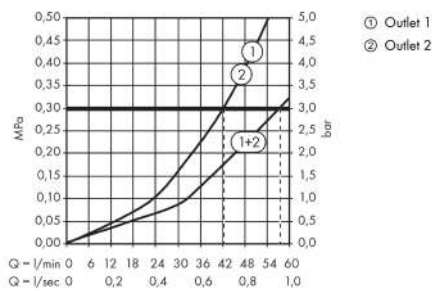
Scale drawing



AXOR Starck
Thermostat HighFlow for concealed installation
 Surfaces: Article Number: **10715000**



Flowchart

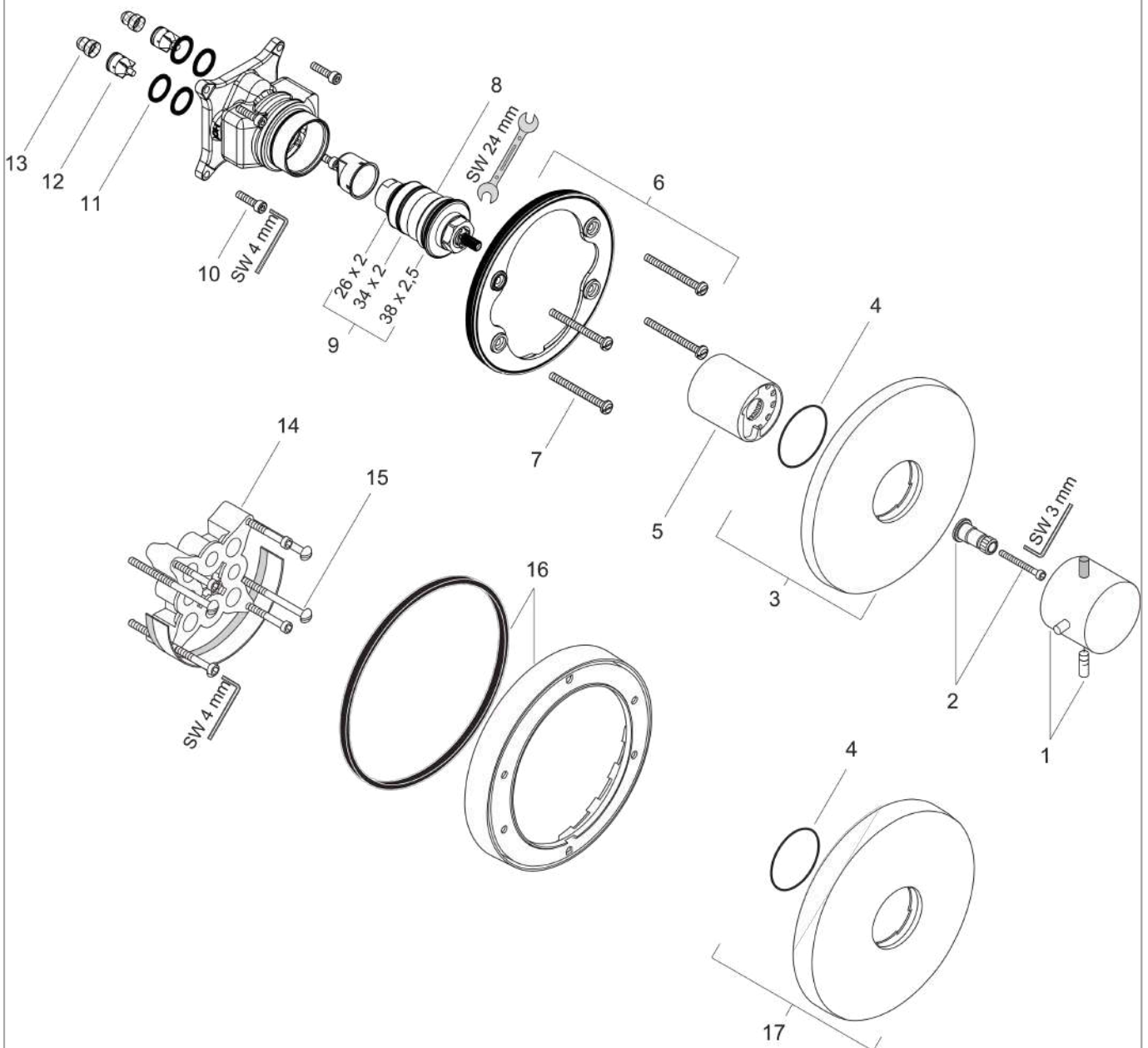


AXOR Starck
Thermostat HighFlow for concealed installation
 Surfaces: Article Number: **10715000**



Exploded Drawing

Year of production: >02/12



AXOR Starck
Thermostat HighFlow for concealed installation
 Surfaces: Article Number: **10715000**



Spare part list

Year of production: >02/12

Pos.		Article Number	Price	PU
1	handle for thermostat	10391000	€ 103,17	1
2	adapter for handle	96435000	€ 18,80	1
3	escutcheon Ø 170 mm	95803000	€ 128,28	1
4	O-Ring 48x3	95508000	€ 3,33	1
5	sleeve	97439000	€ 36,89	1
6	sub plate	96447000	€ 45,82	1
7	set of fixing screws	96454000	€ 8,69	1
8	thermostat cartridge	96633000	€ 128,28	1
9	sealing set	96636000	€ 45,82	1
10	set of screws	96525000	€ 8,69	1
11	O-ring 16x2	98133000	€ 3,33	1
12	set of non return valves DW 15	97350000	€ 18,80	1
13	filter	98513000	€ 3,33	1
14	extension 25 mm	13595000	-	1
15	set of fixing screws	97747000	€ 3,33	1
16	extension 22 mm (Ø 170 mm)	13596000	-	1
17	escutcheon height = 33 mm (when wall is not deep enough).	14960000	-	1
a	concealed item	01800180	-	1
b	adapter for exchanged connections	93181000	€ 256,68	1
c	filter	97367000	€ 8,69	1