

**AXOR Starck**  
**Thermostat for concealed installation with shut-off valve**  
 Surfaces: Article Number: **10700820**



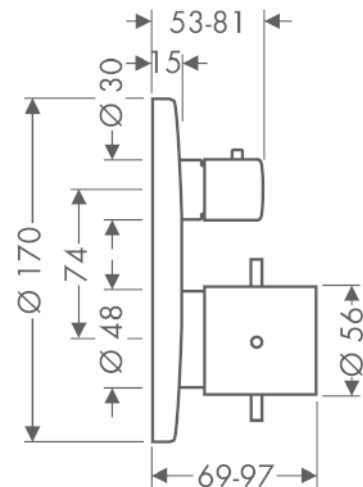
### product features

- 1 function
- thermostat cartridge, ceramic valves 90°
- maximum flow rate at 3 bar: 25 l/min
- min. operating pressure: 1 bar
- max. operating pressure: 10 bar
- safety lock at 40 °C
- temperature limitation adjustable
- non-return valve
- with silencer
- connection type: basic set

### Product image



### Scale drawing



**AXOR Starck**  
**Thermostat for concealed installation with shut-off valve**  
Surfaces: Article Number: **10700820**



## Flowchart

