

AXOR Starck
2-hole rim-mounted thermostatic bath mixer with zero handles
Surfaces: Art. no. : **10480000**



product features

- designed to run 2 outlets
- safety stop at 40°C
- Maximum temperature can be adjusted on installation
- Suitable for remote spout
- bath spout not included

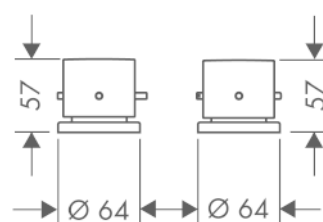
Article Details

Price excl. VAT £ 270.83

Product image



Scale drawing

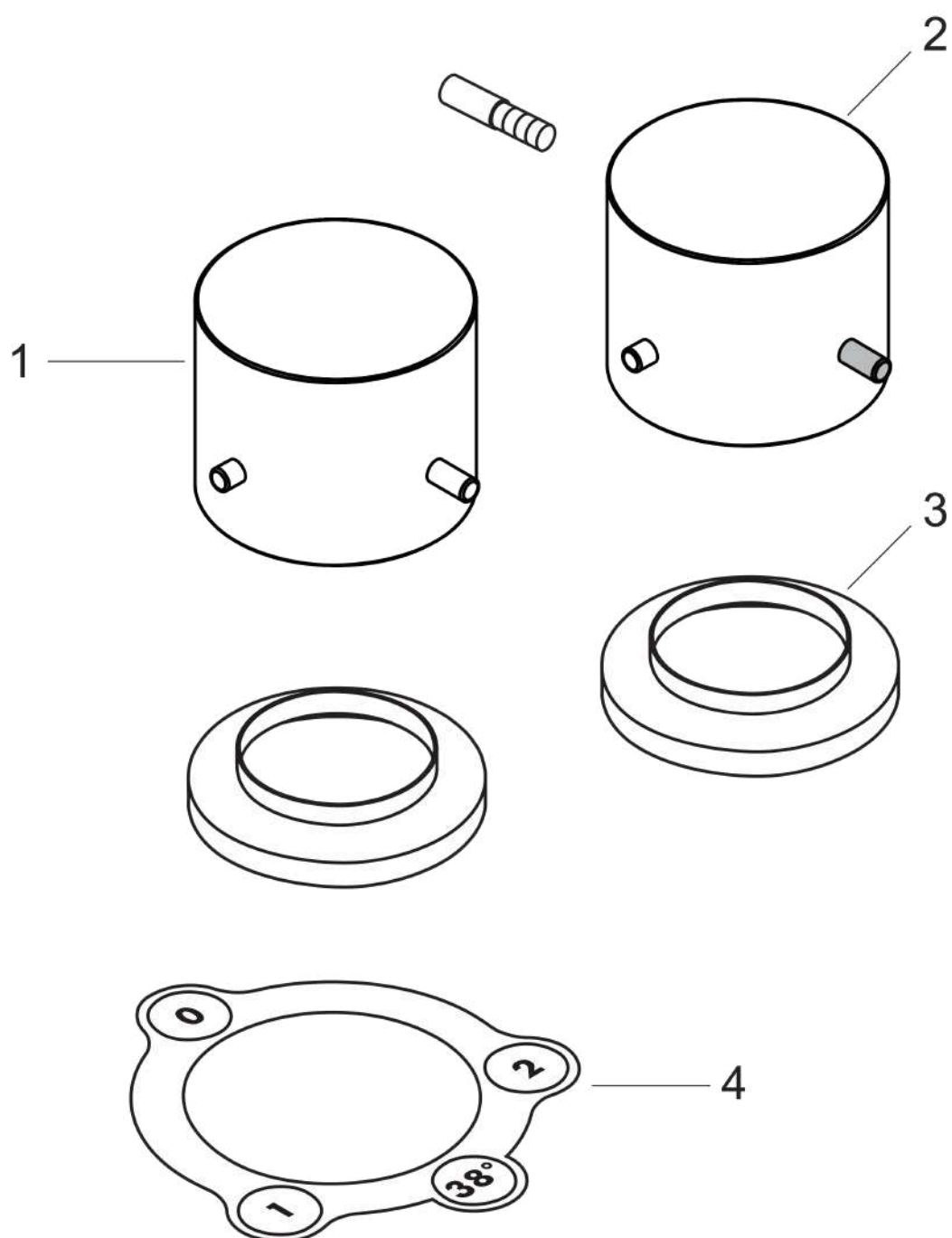


AXOR Starck
2-hole rim-mounted thermostatic bath mixer with zero handles
Surfaces: Art. no. : **10480000**



Exploded Drawing

Year of production: >03/02



AXOR Starck
2-hole rim-mounted thermostatic bath mixer with zero handles
 Surfaces: Art. no. : **10480000**



Spare part list

Year of production: >03/02

Pos.		Art. no.	Price	PU
1	handle	98666000	-	1
2	handle for thermostat	10996000	-	1
3	escutcheon	21828000	-	1
4	stickers for symbols	97791000	-	1
a	concealed item	13550180	-	1