

AXOR Starck
Single lever bath mixer floor-standing with pin handle
 Surfaces: Art. no. : **10456310**



product features

- Consists of: Floor-standing single lever bath mixer, baton hand shower, shower holder
- designed to run 2 outlets
- spout 156 mm long
- Spray type mixer: normal spray
- Spray type hand shower: Rain, Mono
- Maximum flow rate (at 3 bar): 18 l/min
- Flow rate for bath spout (at 3 bar): 18 l/min
- Flow rate of hand shower (at 3 bar): 15 l/min
- ceramic cartridge
- Maximum temperature can be adjusted on installation
- diverter with automatic resetting
- Non-return valve
- Noise class: I
- Connection type: basic set
- Min. operating pressure: 1 bar
- Max. operating pressure: 10 bar
- WRAS 2110036 - Approval letter

Article Details

Price excl. VAT £ 2,425.00

Technology



Certificates



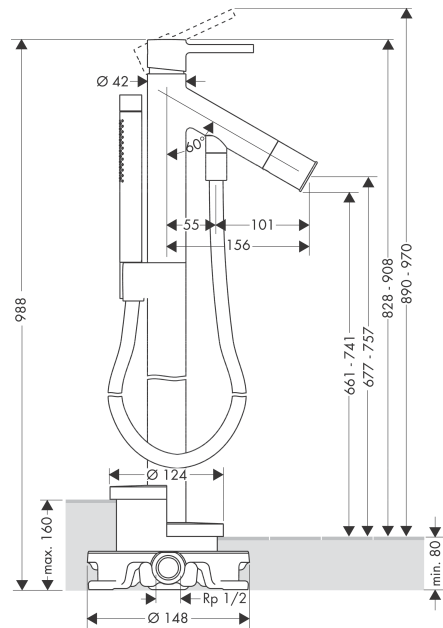
AXOR Starck
Single lever bath mixer floor-standing with pin handle
 Surfaces: Art. no. : **10456310**



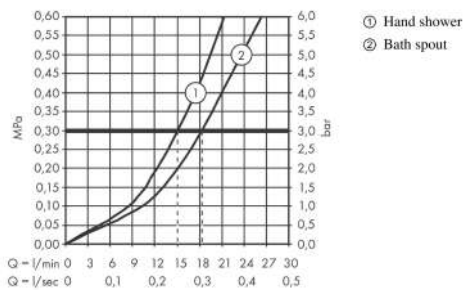
Product image



Scale drawing



Flowchart

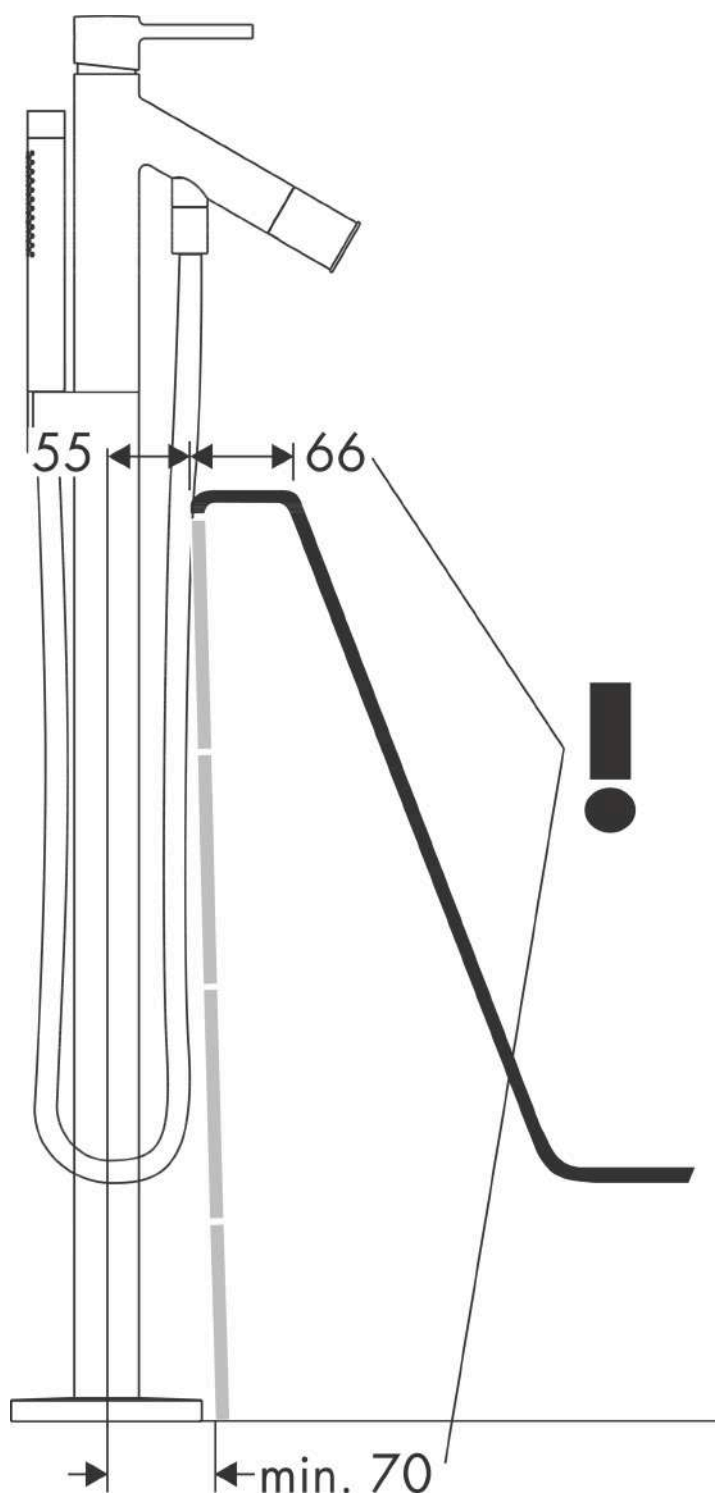


The consumption was measured in combination with the appropriate fittings (thermostat/mixer/in-wall valve) to reflect actual application in practice.

AXOR Starck
Single lever bath mixer floor-standing with pin handle
Surfaces: Art. no. : 10456310



Installation examples

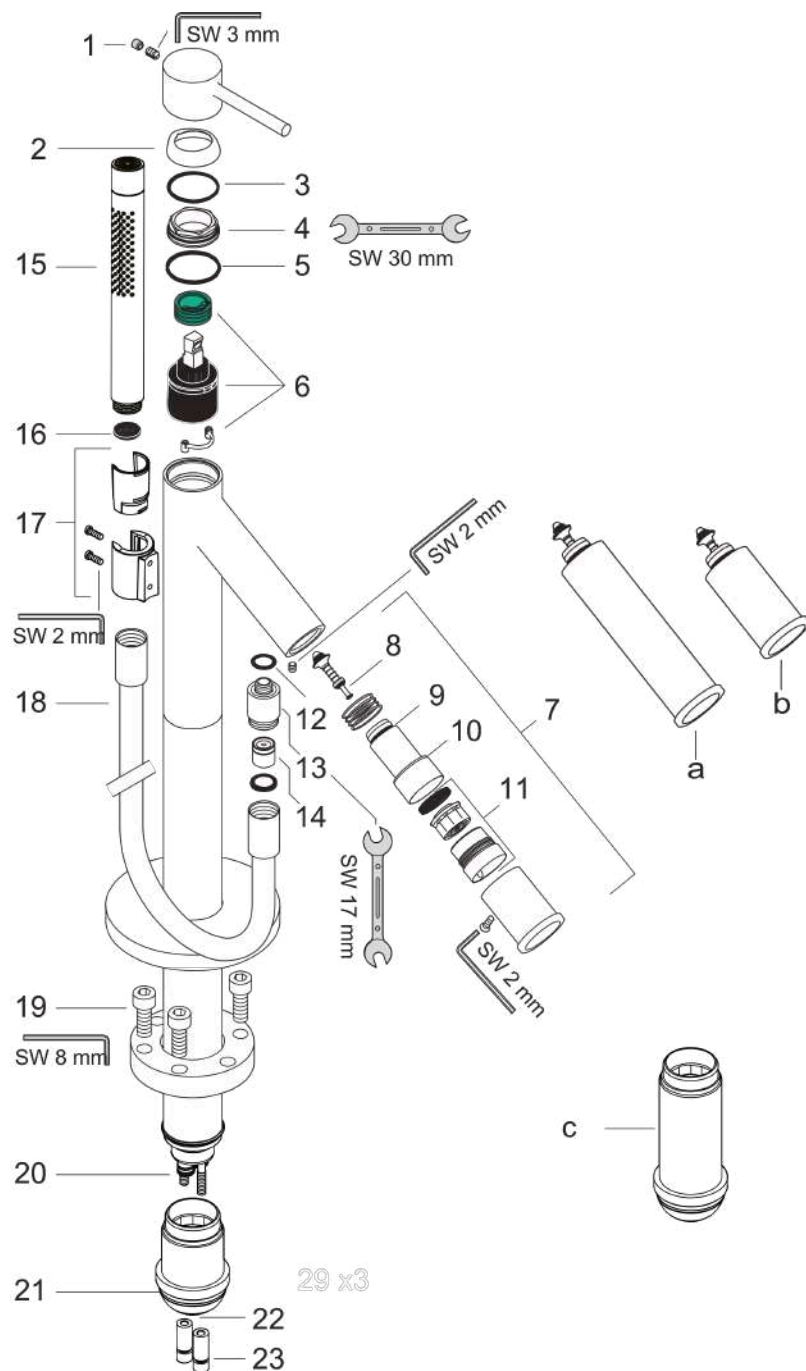


AXOR Starck
Single lever bath mixer floor-standing with pin handle
 Surfaces: Art. no. : 10456310



Exploded Drawing

Year of production: >11/16



AXOR Starck
Single lever bath mixer floor-standing with pin handle
 Surfaces: Art. no. : **10456310**



Spare part list

Year of production: >11/16

| Pos. | | Art. no. | Price | PU |
|------|--------------------------------|----------|-------|----|
| 1 | screw cover | 96762000 | - | 1 |
| 2 | flange | 96763310 | - | 1 |
| 3 | O-ring 33x2 | 98154000 | - | 1 |
| 4 | nut | 97209000 | - | 1 |
| 5 | O-ring 35x2 | 92604000 | - | 1 |
| 6 | cartridge, assy | 92730000 | - | 1 |
| 7 | selector assy | 96294310 | - | 1 |
| 8 | selector | 96297000 | - | 1 |
| 9 | O-ring 16x2 | 98133000 | - | 1 |
| 10 | O-ring 24x2 | 98388000 | - | 1 |
| 11 | aerator M30x1 (25 l/min) | 96296310 | - | 1 |
| 12 | O-ring 13x2 | 98128000 | - | 1 |
| 13 | connecting thread | 97527310 | - | 1 |
| 14 | set of non return valves DW 15 | 94074000 | - | 1 |
| 15 | handshower | 28532310 | - | 1 |
| 16 | filter packing | 94246000 | - | 1 |
| 17 | shower holder, assy | 96295310 | - | 1 |
| 18 | shower hose 1,25 m | 28282310 | - | 1 |
| 19 | hexagon socket screw M10x35 | 97670000 | - | 1 |
| 20 | O-ring 9x1,5 | 98117000 | - | 1 |
| 21 | O-ring 44x2,5 | 98162000 | - | 1 |
| 22 | O-ring 29x3 | 98371000 | - | 1 |
| 23 | O-ring 7x2 | 98419000 | - | 1 |
| a | extension for diverter 60 mm | 10981310 | - | 1 |
| b | extension for diverter 20 mm | 10983310 | - | 1 |
| c | extension set 60 mm | 97686000 | - | 1 |
| d | concealed item | 10452180 | - | 1 |