

AXOR Starck
Single lever bath mixer floor-standing with pin handle
 Surfaces: Art. no. : **10456130**



product features

- Consists of: Floor-standing single lever bath mixer, baton hand shower, shower holder
- designed to run 2 outlets
- spout 156 mm long
- Spray type mixer: normal spray
- Spray type hand shower: Rain, Mono
- Maximum flow rate (at 3 bar): 18 l/min
- Flow rate for bath spout (at 3 bar): 18 l/min
- Flow rate of hand shower (at 3 bar): 15 l/min
- ceramic cartridge
- Maximum temperature can be adjusted on installation
- diverter with automatic resetting
- Non-return valve
- Noise class: I
- Connection type: basic set
- Min. operating pressure: 1 bar
- Max. operating pressure: 10 bar
- WRAS 2110036 - Approval letter

Article Details

Price excl. VAT £ 2,425.00

Technology



Certificates



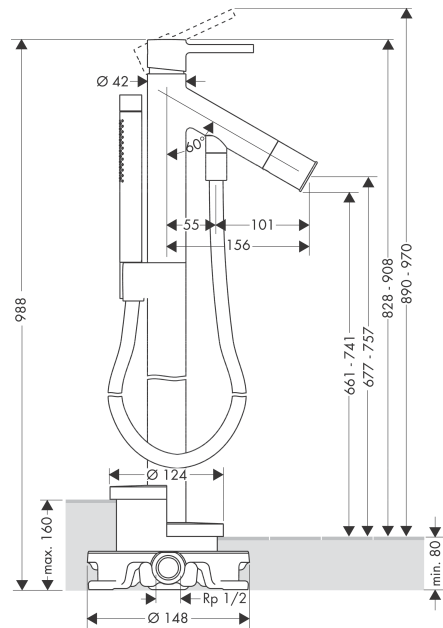
AXOR Starck
Single lever bath mixer floor-standing with pin handle
 Surfaces: Art. no. : **10456130**



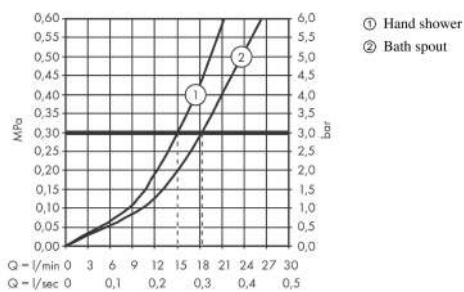
Product image



Scale drawing



Flowchart

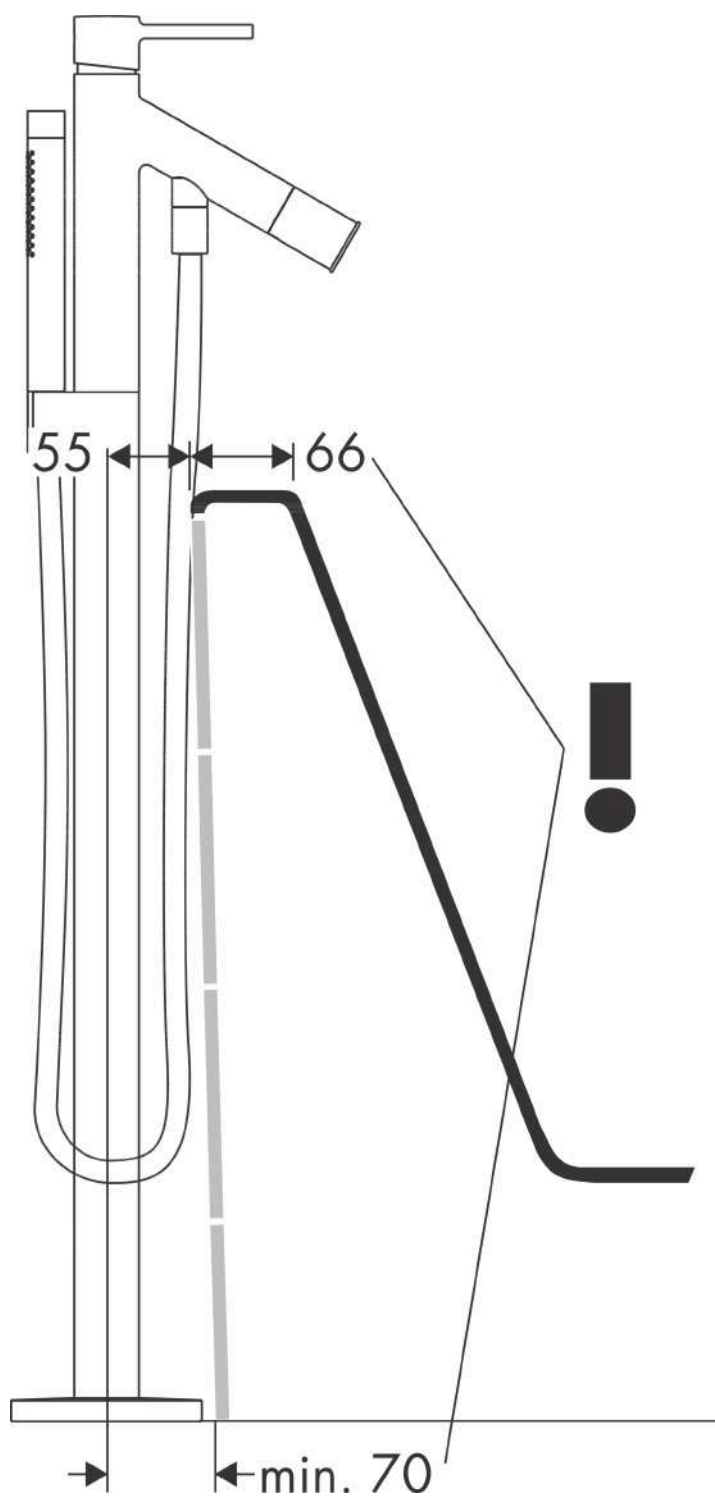


The consumption was measured in combination with the appropriate fittings (thermostat/mixer/in-wall valve) to reflect actual application in practice.

AXOR Starck
Single lever bath mixer floor-standing with pin handle
Surfaces: Art. no. : **10456130**



Installation examples

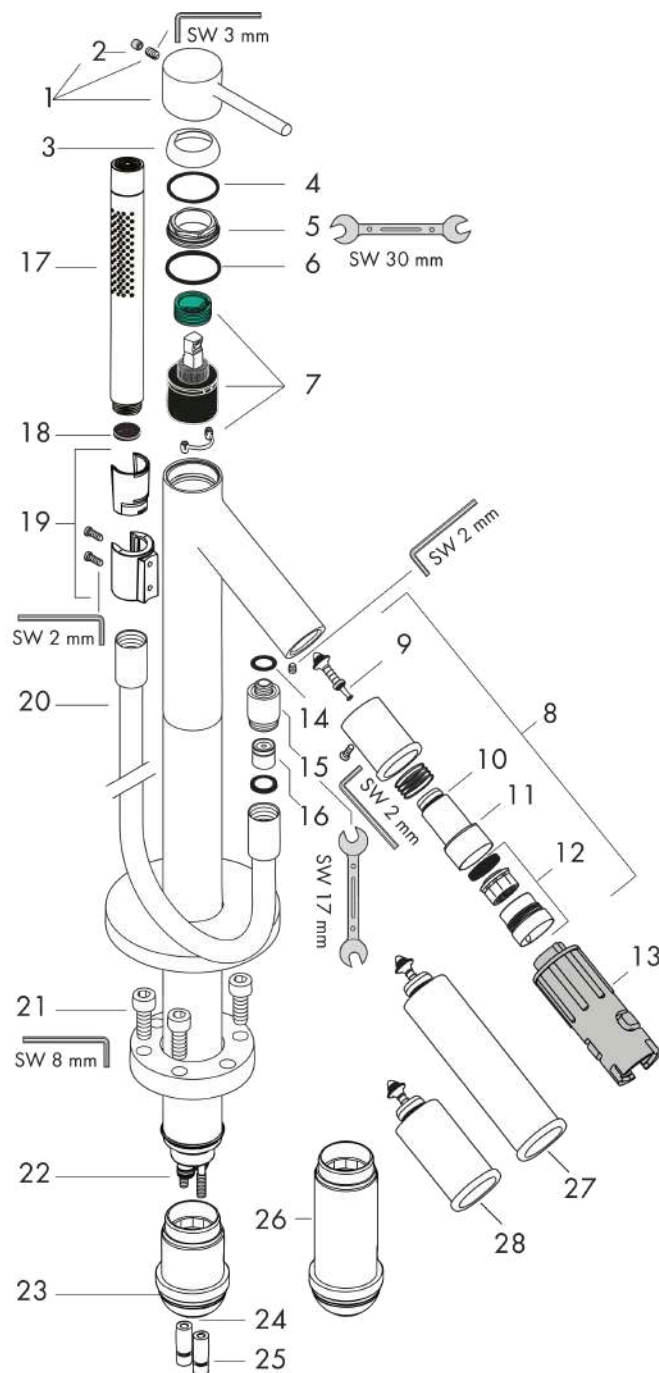


AXOR Starck
Single lever bath mixer floor-standing with pin handle
 Surfaces: Art. no. : 10456130



Exploded Drawing

Year of production: >11/16



AXOR Starck
Single lever bath mixer floor-standing with pin handle
 Surfaces: Art. no. : **10456130**



Spare part list

Year of production: >11/16

Pos.		Art. no.	Price	PU
1	handle	10093130	-	1
2	screw cover	96762000	-	1
3	flange	96763130	-	1
4	O-ring 33x2	98154000	-	1
5	nut	97209000	-	1
6	O-ring 35x2	92604000	-	1
7	cartridge, assy	92730000	-	1
8	selector assy	96294130	-	1
9	selector	96297000	-	1
10	O-ring 16x2	98133000	-	1
11	O-ring 24x2	98388000	-	1
12	aerator M30x1 (25 l/min)	96296130	-	1
13	special tool set	58085000	-	1
14	O-ring 13x2	98128000	-	1
15	connecting thread	97527130	-	1
16	set of non return valves DW 15	94074000	-	1
17	handshower	28532130	-	1
18	filter packing	94246000	-	1
19	shower holder, assy	96295130	-	1
20	shower hose 1,25 m	28282130	-	1
21	hexagon socket screw M10x35	97670000	-	1
22	O-ring 9x1,5	98117000	-	1
23	O-ring 44x2,5	98162000	-	1
24	O-ring 29x3	98371000	-	1
25	O-ring 7x2	98419000	-	1
26	extension for diverter 60 mm	10981130	-	1
27	extension for diverter 20 mm	10983130	-	1
28	extension set 60 mm	97686000	-	1
a	concealed item	10452180	-	1