

**AXOR Starck**  
**4-hole tile mounted bath mixer with zero handles**  
 Surfaces: Article Number: **10451950**



## product features

- consists of: 4-hole tile mounted bath mixer, hand shower, shower hose, shower holder
- 2 functions
- projection: 242 mm
- spray type mixer: Normal spray
- spray type hand shower: Rain, RainAir, WhirlAir
- maximum pull-out length of hand shower: 1.10 m
- maximum flow rate at 3 bar: 21 l/min
- flow rate for bath spout at 3 bar: 21 l/min
- flow rate of hand shower at 3 bar: 19 l/min
- ceramic valves hot/ cold 180°
- diverter with automatic resetting
- non-return valve
- connection dimension: DN15
- connection type: basic set
- min. operating pressure: 1 bar
- max. operating pressure: 10 bar

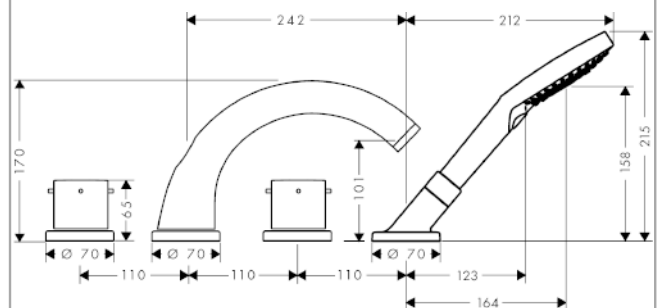
## Technology



## Product image



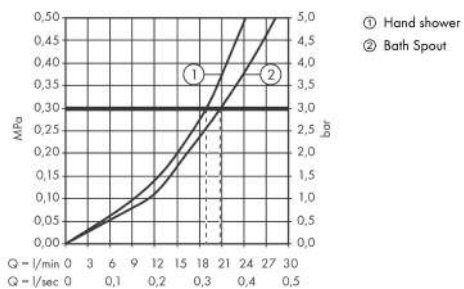
## Scale drawing



**AXOR Starck**  
**4-hole tile mounted bath mixer with zero handles**  
 Surfaces: Article Number: **10451950**



## Flowchart



The consumption was measured in combination with the appropriate fittings (thermostat/mixer/in-wall valve) to reflect actual application in practice.