

AXOR Starck

Single lever manual bath mixer for exposed installation with pin handle

Surfaces: Art. no. : **10411000**



product features

- designed to run 2 outlets
- spout 200 mm long
- Centre distance: 150 mm ± 16 mm
- Spray type mixer: normal spray
- Maximum flow rate (at 3 bar): 18 l/min
- Flow rate for bath spout (at 3 bar): 18 l/min
- Flow rate of hand shower (at 3 bar): 16 l/min
- ceramic cartridge
- Maximum temperature can be adjusted on installation
- diverter with automatic resetting
- Non-return valve
- with silencer
- exposed installation
- Noise class: II
- Connection type: S connections
- Min. operating pressure: 1 bar
- Max. operating pressure: 10 bar
- non thermostatic
- winner of the iF product design award 2005
- WRAS 2012021
- WRAS 2012021 - Approval letter

Article Details

Price excl. VAT £ 731.16

Technology



Certificates



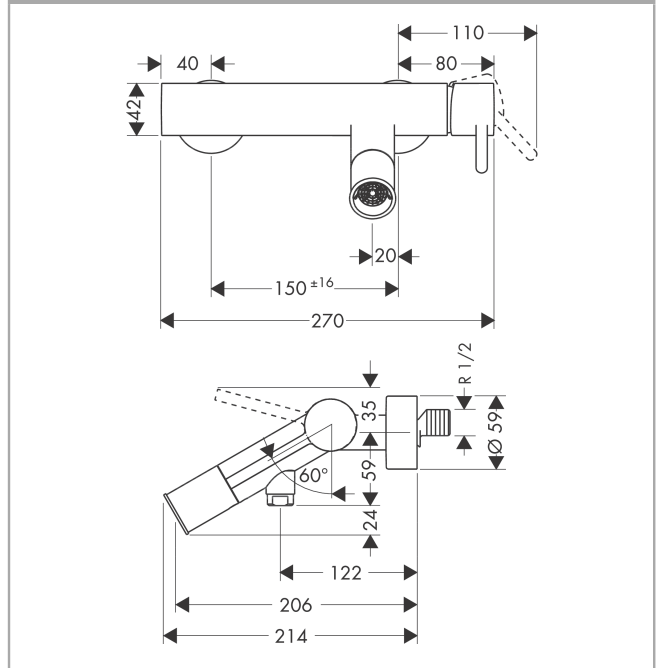
AXOR Starck
Single lever manual bath mixer for exposed installation with pin handle
 Surfaces: Art. no. : **10411000**



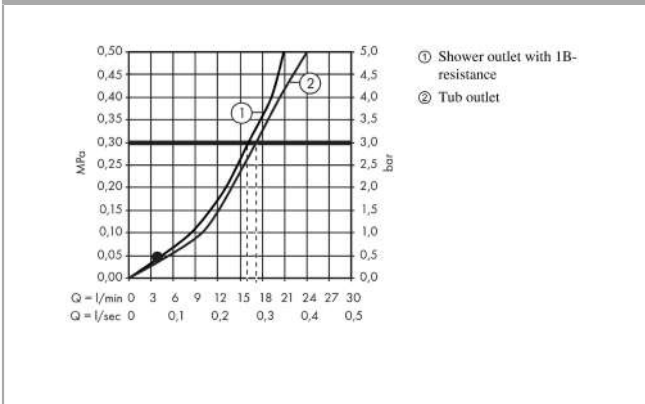
Product image



Scale drawing



Flowchart

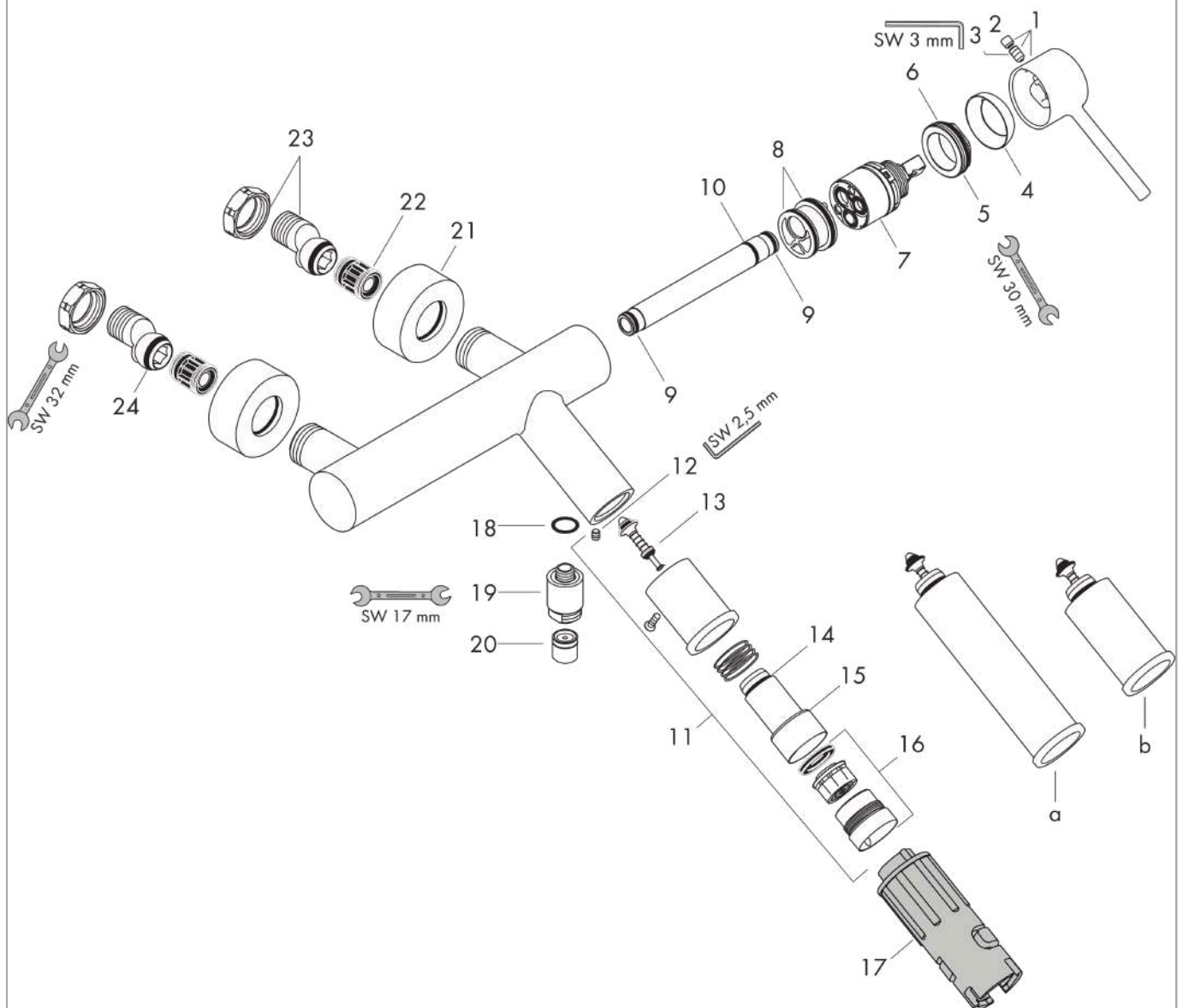


AXOR Starck
Single lever manual bath mixer for exposed installation with pin handle
 Surfaces: Art. no. : **10411000**



Exploded Drawing

Year of production: >04/04



AXOR Starck

Single lever manual bath mixer for exposed installation with pin handle

Surfaces: Art. no. : 10411000



Spare part list

Year of production: >04/04

Pos.		Art. no.	Price	PU
1	handle	10093000	-	1
2	screw cover	96762000	-	1
3	hollow set screw M6x10 DIN 916	96029000	-	1
4	flange	96763000	-	1
5	nut	97209000	-	1
6	O-ring 33x2	98154000	-	1
7	cartridge, assy	92730000	-	1
8	O-ring 29x2	98391000	-	1
9	O-ring 11x2	98127000	-	1
10	O-ring 12x2	98214000	-	1
11	selector assy	96294000	-	1
12	hollow set screw M5x6	98482000	-	1
13	selector	96297000	-	1
14	O-ring 16x2	98133000	-	1
15	O-ring 24x2	98388000	-	1
16	aerator M30x1 (25 l/min)	96296000	-	1
17	special tool set	58085000	-	1
18	O-ring 13x2	98128000	-	1
19	connecting thread	97527000	-	1
20	set of non return valves DW 15	94074000	-	1
21	escutcheon Ø 59 mm	97507000	-	1
22	noise reduction	96429000	-	1
23	set of S-unions with nuts	96742000	-	1
24	O-ring 18x2,5	98139000	-	1
a	extension for diverter 60 mm	10981000	-	1
b	extension for diverter 20 mm	10983000	-	1