

AXOR Starck

Bath spout

Surfaces: Article Number: **10410000**



product features

- 1 function
- projection 122 mm
- maximum flow rate at 3 bar: 20 l/min
- connection dimension: device connection DN20
- spray type: Normal spray

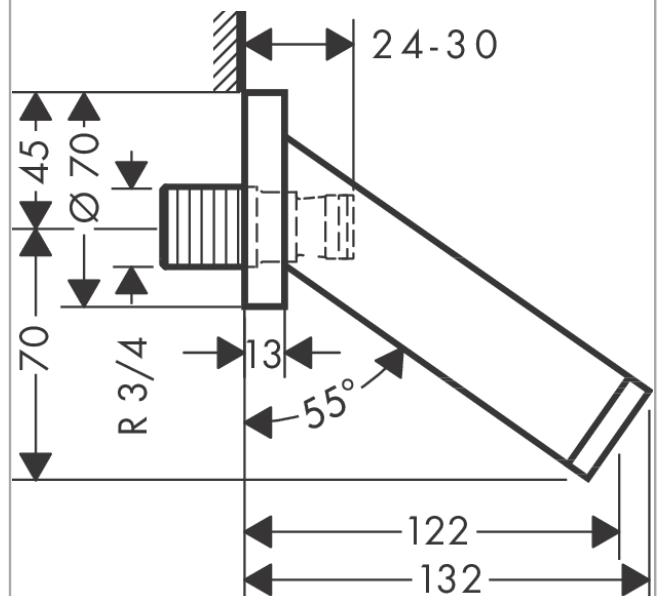
Technology



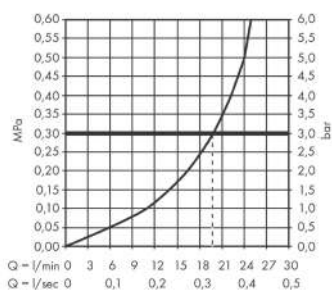
Product image



Scale drawing



Flowchart



The consumption was measured in combination with the appropriate fittings (thermosta/mixer/ in-wall valve) to reflect actual application in practice.

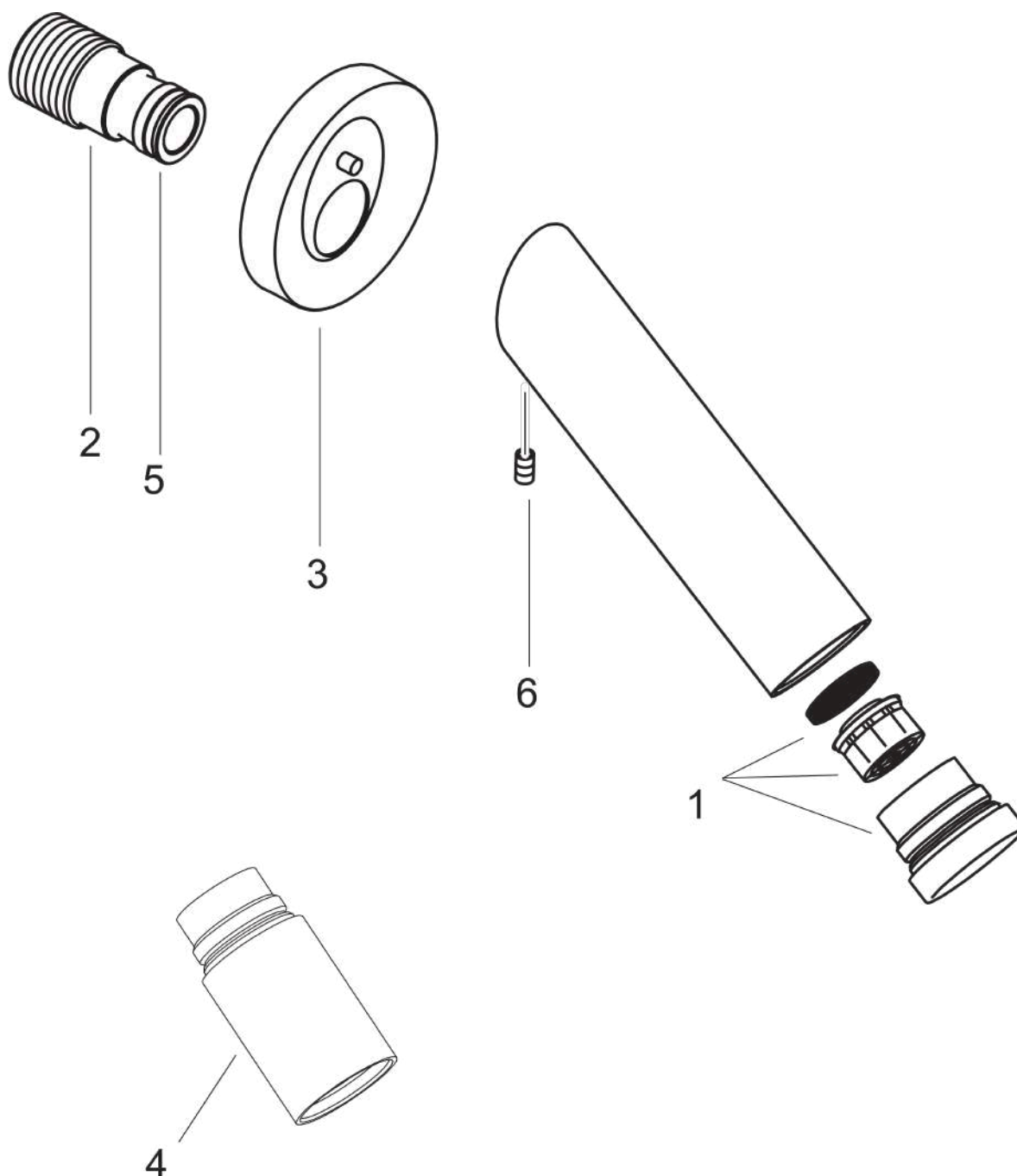
**AXOR Starck
Bath spout**

Surfaces: Article Number: **10410000**



Exploded Drawing

Year of production: >08/94



AXOR Starck

Bath spout

Surfaces: Article Number: **10410000**



Spare part list

Year of production: >08/94

Pos.		Article Number	Price	PU
1	aerator M30x1 (25 l/min)	94034000	€ 36,89	1
2	connecting thread G¾	96472000	€ 18,80	1
3	escutcheon	96424000	€ 36,89	1
4	extension set 50 mm	10495000	-	1
5	O-ring 16x2,5	98134000	€ 3,33	1
6	hollow set screw M6x8	97810000	€ 3,33	1
a	connecting thread G½	97228000	€ 45,82	1