

## AXOR Starck

### Single lever bidet mixer with lever handle and pop-up waste

Surfaces: Art. no. : **10214000**



#### product features

- Consists of: single lever bidet mixer, waste set
- spout 104 mm long
- spout height: 65 mm
- with fixed spout
- swivel joint enables directional spray
- Spray pattern: normal spray
- Maximum flow rate (at 3 bar): 7.5 l/min
- Min. operating pressure: 1 bar
- Max. operating pressure: 10 bar
- ceramic cartridge
- pop-up waste set 1¼"
- # hose connections

#### Article Details

Price excl. VAT

£ 294.25

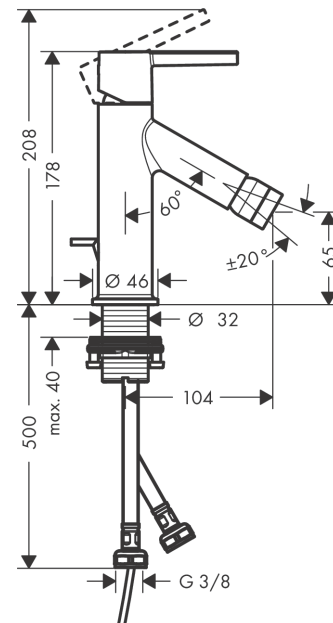
#### Technology



#### Product image



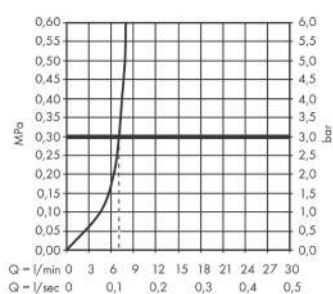
#### Scale drawing



**AXOR Starck**  
**Single lever bidet mixer with lever handle and pop-up waste**  
Surfaces: Art. no. : **10214000**



## Flowchart

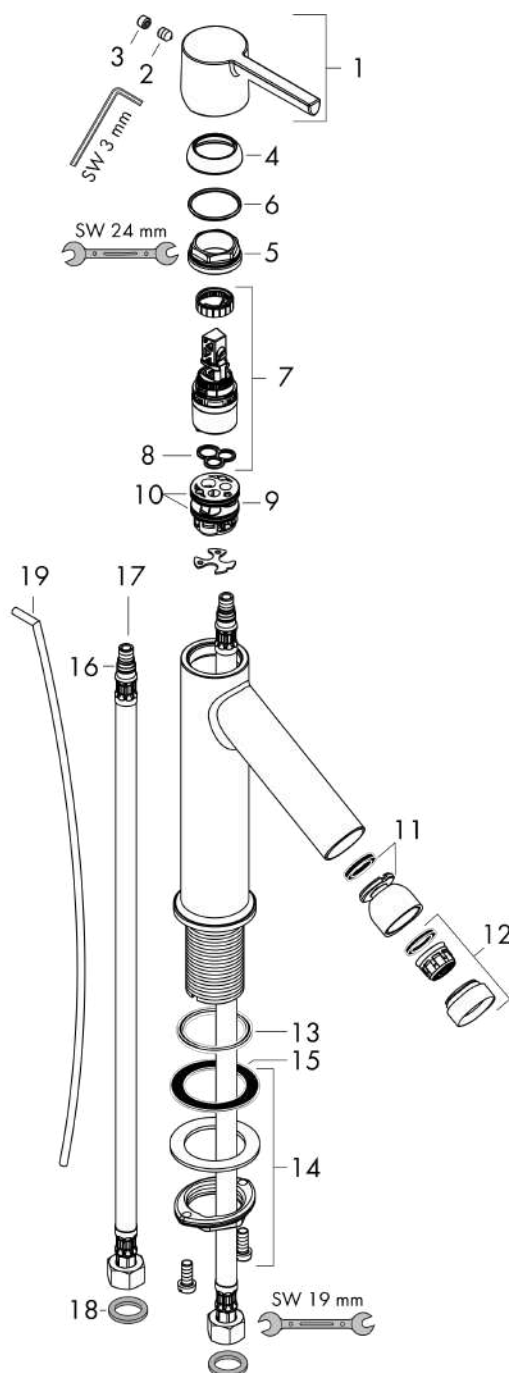


**AXOR Starck**  
**Single lever bidet mixer with lever handle and pop-up waste**  
 Surfaces: Art. no. : **10214000**



## Exploded Drawing

Year of production: >10/15



**AXOR Starck**  
**Single lever bidet mixer with lever handle and pop-up waste**  
 Surfaces: Art. no. : **10214000**



## Spare part list

Year of production: >10/15

Pos.		Art. no.	Price	PU
1	handle	92385000	-	1
2	hollow set screw M6x8	98444000	-	1
3	screw cover	96762000	-	1
4	flange	98863000	-	1
5	nut	95178000	-	1
6	O-Ring 22x2	98185000	-	1
7	cartridge, assy	97685000	-	1
8	seal	98865000	-	1
9	adapter for cartridge	98866000	-	1
10	O-ring 23x2	98398000	-	1
11	ball joint	96050000	-	1
12	aerator M24x1 (7 l/min)	94005000	-	1
13	O-ring 34x4	98155000	-	1
14	fixing set (Ø 32)	13961000	-	1
15	lever collar	97548000	-	1
16	connection hose 600 mm M8x0,75 G3/8	96556000	-	1
17	O-ring 7x1,5	98422000	-	1
18	sealing set	95581000	-	1
19	pull rod	97158000	-	1
a	pop up waste	94139000	-	1
b	fixation extension 35 mm	13898000	-	1