

## AXOR Starck

### Single lever bidet mixer with pin handle and pop-up waste

Surfaces: Art. no. : **10211000**



#### product features

- Consists of: single lever bidet mixer, waste set
- spout 111 mm long
- spout height: 59 mm
- with fixed spout
- swivel joint enables directional spray
- Spray pattern: normal spray
- Maximum flow rate (at 3 bar): 7.5 l/min
- Min. operating pressure: 1 bar
- Max. operating pressure: 10 bar
- ceramic cartridge
- pop-up waste set 1¼"
- # hose connections
- Please specify when ordering if required for low pressure.

#### Article Details

Price excl. VAT

£ 472.59

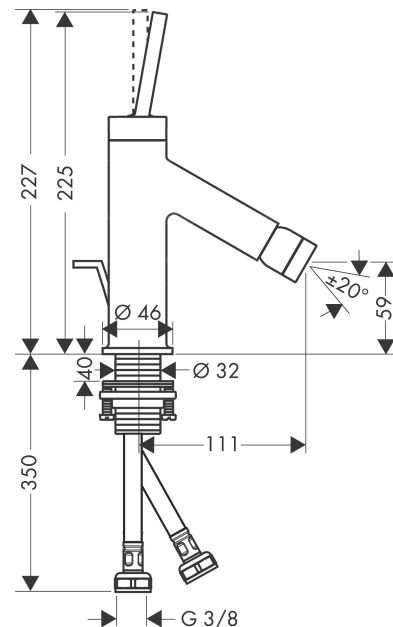
#### Technology



#### Product image



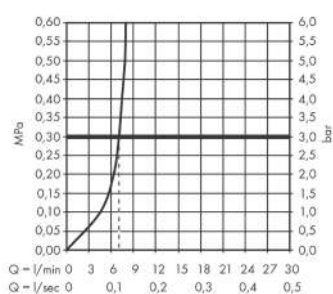
#### Scale drawing



**AXOR Starck**  
**Single lever bidet mixer with pin handle and pop-up waste**  
Surfaces: Art. no. : **10211000**



## Flowchart

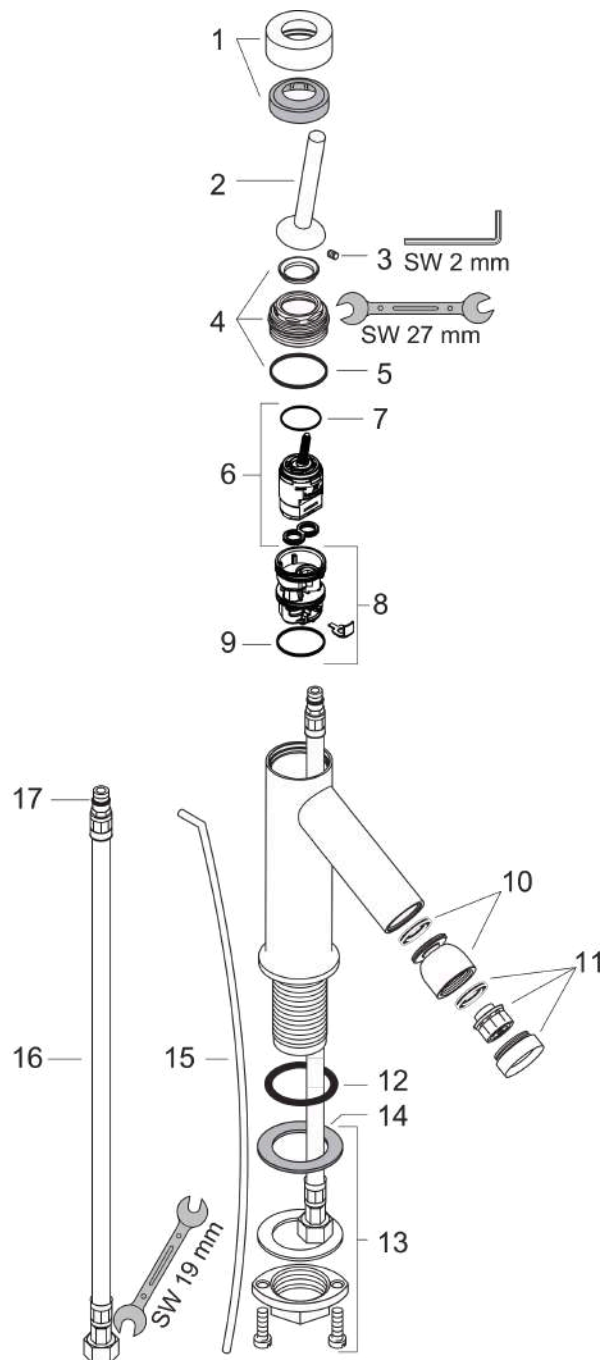


**AXOR Starck**  
**Single lever bidet mixer with pin handle and pop-up waste**  
 Surfaces: Art. no. : **10211000**



## Exploded Drawing

Year of production: >08/12



**AXOR Starck**  
**Single lever bidet mixer with pin handle and pop-up waste**  
 Surfaces: Art. no. : **10211000**



## Spare part list

Year of production: >08/12

Pos.		Art. no.	Price	PU
1	flange	97155000	-	1
2	handle	10092000	-	1
3	hollow set screw M4x6	97767000	-	1
4	nut	97157000	-	1
5	O-Ring 30x2	98186000	-	1
6	cartridge, assy	96339000	-	1
7	O-ring 21,95x1,78	95169000	-	1
8	adapter for cartridge	95289000	-	1
9	O-ring 26x2	98147000	-	1
10	ball joint	96050000	-	1
11	aerator M24x1 (7 l/min)	94005000	-	1
12	O-ring 34x4	98155000	-	1
13	fixing set (Ø 32)	13961000	-	1
14	lever collar	97548000	-	1
15	pull rod	97158000	-	1
16	O-ring 7x1,5	98422000	-	1
17	connection hose 450 mm M8x0,75 G3/8	97206000	-	1
a	pop up waste	94139000	-	1
b	lever arm 340mm (ball-Ø12mm)	96324000	-	1
c	fixation extension 35 mm	13898000	-	1
d	service tool for disassembling the handle	92124000	-	1