

AXOR Starck
Single lever basin mixer 80 with pop-up waste
 Surfaces: Art. no. : **10102000**



product features

- Consists of: single lever basin mixer, waste set
- ComfortZone 80 provides space for greater freedom of movement
- spout 86 mm long
- spout height: 75 mm
- free-standing installation
- Spray pattern: normal spray
- Maximum flow rate (at 3 bar): 5 l/min
- Min. operating pressure: 1 bar
- Max. operating pressure: 10 bar
- ceramic cartridge
- pop-up waste set 1 1/4"
- QuickClean technology for easy limescale removal
- operating pressure: min. 1 bar / max. 6 bar
- WRAS 2101002
- WRAS 2101002 - Approval letter

Article Details

Price excl. VAT

£ 267.50

Technology



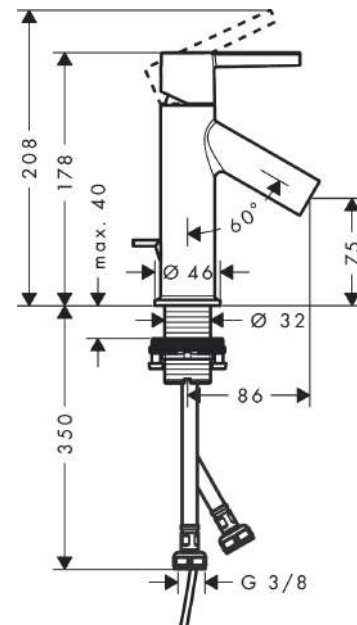
Certificates



Product image



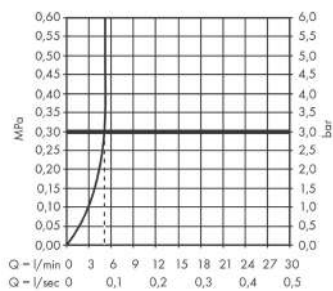
Scale drawing



AXOR Starck
Single lever basin mixer 80 with pop-up waste
Surfaces: Art. no. : **10102000**



Flowchart

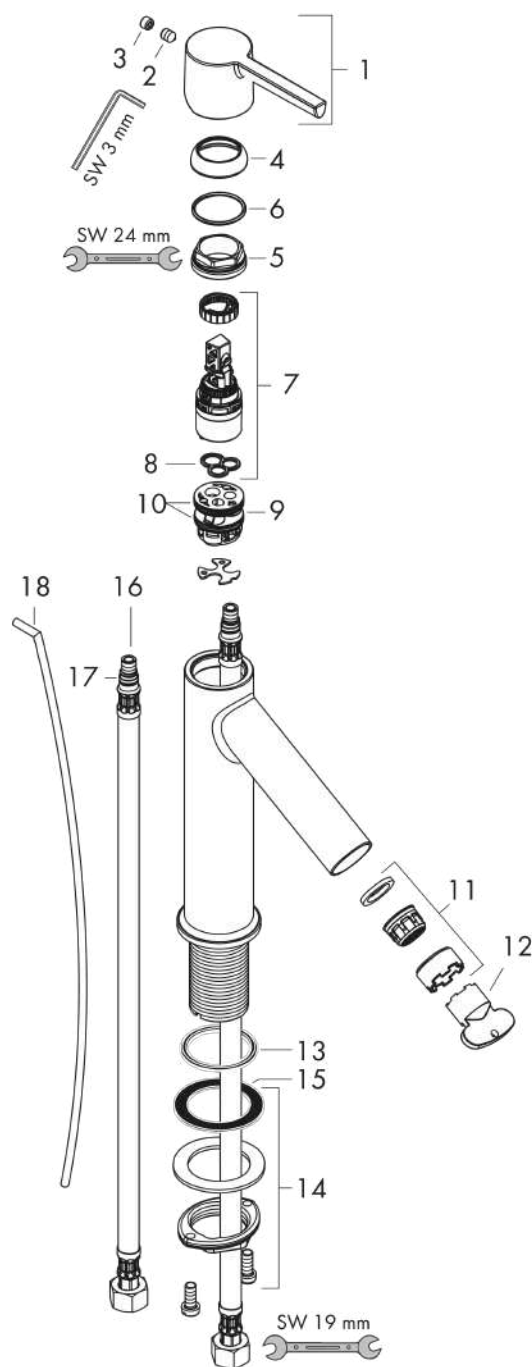


AXOR Starck
Single lever basin mixer 80 with pop-up waste
 Surfaces: Art. no. : **10102000**



Exploded Drawing

Year of production: >11/14



AXOR Starck
Single lever basin mixer 80 with pop-up waste
 Surfaces: Art. no. : **10102000**



Spare part list

Year of production: >11/14

Pos.		Art. no.	Price	PU
1	handle	92385000	-	1
2	hollow set screw M6x8	98444000	-	1
3	screw cover	96762000	-	1
4	flange	98863000	-	1
5	nut	95178000	-	1
6	O-Ring 22x2	98185000	-	1
7	cartridge, assy	97685000	-	1
8	seal	98865000	-	1
9	adapter for cartridge	98866000	-	1
10	O-ring 23x2	98398000	-	1
11	aerator M24x1 (5 l/min)	92386000	-	1
12	special tool	95290000	-	1
13	O-ring 34x4	98155000	-	1
14	fixing set (Ø 32)	13961000	-	1
15	lever collar	97548000	-	1
16	connection hose 450 mm M8x0,75 G3/8	97206000	-	1
17	O-ring 7x1,5	98422000	-	1
18	pull rod	97158000	-	1
a	pop up waste	94139000	-	1
b	fixation extension 35 mm	13898000	-	1