

## AXOR Starck

### Single lever basin mixer 100 CoolStart with lever handle and pop-up waste

Surfaces: Art. no. : 10007130



#### product features

- Consists of: single lever basin mixer, waste set
- ComfortZone 100 provides space for greater freedom of movement
- spout 103 mm long
- spout height: 95 mm
- free-standing installation
- Spray pattern: normal spray
- Maximum flow rate (at 3 bar): 3.5 l/min
- Min. operating pressure: 1 bar
- Max. operating pressure: 10 bar
- ceramic cartridge
- pop-up waste set 1 1/4"
- QuickClean technology for easy limescale removal
- operating pressure: min. 1 bar / max. 10 bar
- enhanced capital allowance version
- WRAS 2101002
- WRAS 2101002 - Approval letter

#### Article Details

Price excl. VAT

£ 401.30

#### Technology



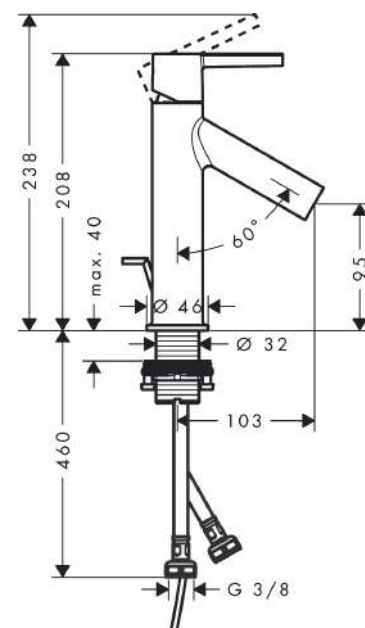
#### Certificates



#### Product image



#### Scale drawing



## AXOR Starck

Single lever basin mixer 100 CoolStart with lever handle and pop-up waste

Surfaces: Art. no. : 10007130



### Flowchart

